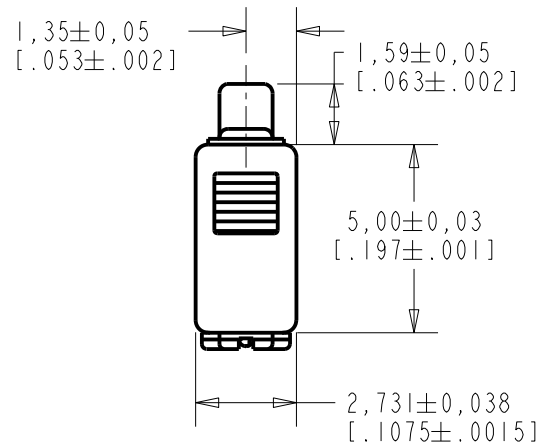
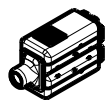
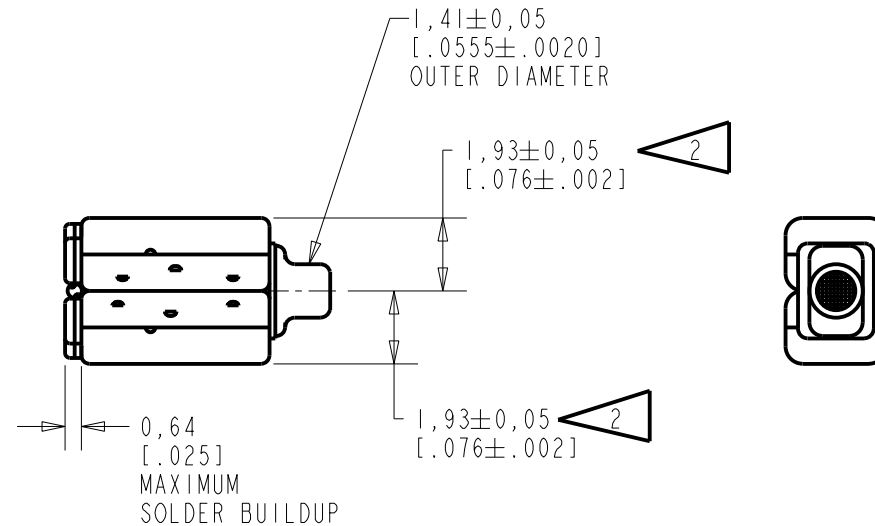
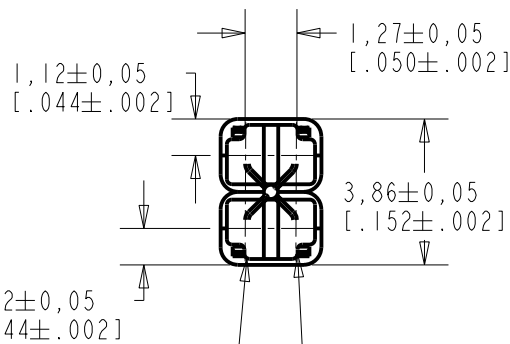


SWFK-32254-000
SHT 1.1



NOTES:

- 1 A POSITIVE GOING VOLTAGE AT TERMINAL 2, RELATIVE TO TERMINAL 1, CAUSES A DECREASE IN PRESSURE AT THE SOUND OUTLET.
- 2 LOCATED FROM TWO SURFACES FOR CUSTOMER CONVENIENCE. ONLY APPLICABLE FROM ONE SURFACE, NOT TO BE USED TOGETHER.



1 TERMINAL 1 (NEGATIVE)
2 TERMINAL 2 (POSITIVE)

SCALE 2:1
NOMINAL WEIGHT 0.19 GRAMS
DIMENSIONS IN MILLIMETERS [INCHES]

KNOWLES ELECTRONICS
ITASCA, ILLINOIS U.S.A.

Revision	C.O. #	Implementation Date	RELEASE LEVEL	REVISION
A	PI0000067	7-14-15	Active	A

SCALE: 5:1	DR. BY: LW	DATE: 7-14-15
DO NOT SCALE DRAWING	CK. BY: GJP	DATE: 7-16-15
TITLE: RECEIVER	APP. BY: GJP	DATE: 7-16-15
OUTLINE DRAWING	SWFK-32254-000 SHT 1.1	

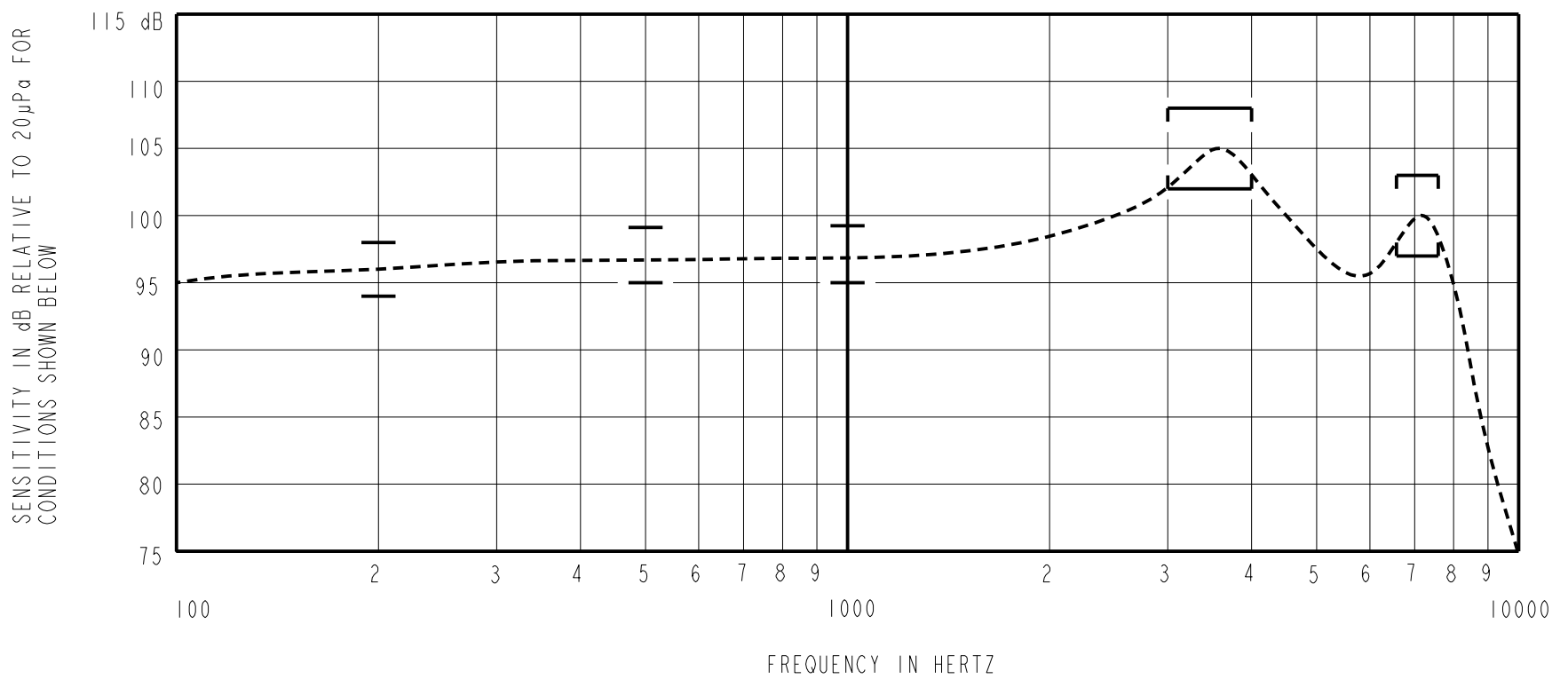
A PAIR OF MAGNETIC BALANCED ARMATURE RECEIVERS WITH TAPERED REED INTENDED FOR USE AS THE HIGH FREQUENCY DRIVER IN A HI-FI SYSTEM.

TYPE 1

SWFK-32254-000

SHEET 2.1

NOTE: SPECIFICATIONS FOLLOWED BY AN ASTERISK (*) ARE 100% TESTED.
CONSTANT VOLTAGE DRIVE CONDITIONS.



ACOUSTICAL

SENSITIVITY

DEVICE WILL PRODUCE THE SPL LISTED BELOW UNDER TEST CONDITIONS DESCRIBED IN TABLE 3.
NOMINAL SENSITIVITY AT 1kHz IS dB RELATIVE TO 20µPa. ALL OTHER VALUES IN dB RELATIVE TO THE SENSITIVITY AT 1kHz.

FREQUENCY (Hz)	MINIMUM	NOMINAL	MAXIMUM
200	-3.0	-1.0	+1.0
500	-2.0	0.0	+2.0
1000	-2.0	97.0	+2.0
3000-4000 PEAK	+5.0	+8.0	+11.0
6600-7600 PEAK	0.0	+3.0	+6.0

TABLE 1

TOTAL HARMONIC DISTORTION

DEVICE WILL NOT EXCEED TOTAL HARMONIC DISTORTION LEVELS LISTED BELOW.

FREQUENCY (Hz)	AC DRIVE (V rms)	DC BIAS (V)	LIMIT (%)
1166	.094	0	5
1750	.094	0	5
1750	.265	0	10

TABLE 2

TEST CONDITIONS

NOMINAL SOURCE VOLTAGE	0.94 V rms, 0 mA DC BIAS
SOURCE IMPEDANCE	<0.2 Ohm
TUBING	10 mm [.394"] LONG, 1mm [.039"] I.D.
COUPLER CAVITY	2 CM ³ , SIMULATED ANSI S3.7 TYPE HA-3 (IEC 60318-5)

TABLE 3

ELECTRICAL

DC RESISTANCE	6.3 Ohms ± 10%	
IMPEDANCE @ 500 Hz	6.8 Ohms ± 20%	MEASURED WITH 5.8 mArms, 0dc DRIVE
IMPEDANCE @ 1kHz	7.2 Ohms ± 20%	MEASURED WITH 5.8 mArms, 0dc DRIVE

TABLE 4

ISOLATION: CASE WILL BE ELECTRICALLY ISOLATED FROM THE COIL CIRCUIT.

MECHANICAL

PORT LOCATION: 12S
SOLDER TYPE: SAC305
TEMPERATURE
OPERATING: SENSITIVITY WILL NOT VARY MORE THAN +1 / -3 dB FROM -17°C TO 63°C.
STORAGE: -40°C TO 63°C.

Revision	C.O. #	Implementation Date	RELEASE LEVEL	REVISION
			Active	A
A	PI0000067	7-14-15		
WHEN TEST LIMITS ARE USED TO ESTABLISH INCOMING INSPECTION ACCEPTANCE/REJECTION CRITERIA, CORRELATION OF TEST EQUIPMENT WITH KNOWLES IS ALSO REQUIRED FOR ELIMINATION OF EQUIPMENT AND TEST METHOD VARIATION			DR. BY	DATE
TITLE: RECEIVER PERFORMANCE SPECIFICATION			LW	7-14-15
			SWFK-32254-000 SHT 2.1	
			CK. BY	DATE
			GJP	7-16-15
			APP. BY	DATE
			GJP	7-16-15

KNOWLES ELECTRONICS
ITASCA, ILLINOIS U.S.A.